



Special Features

- Robust two piece design
- The diaphragm is welded to the body to ensure separation of the filling fluid from the process medium
- All SS construction

Application

- Diaphragm seals are designed to isolate the sensing element of pressure gauges and pressure switches from process fluids that they may be corrosive, viscous, sedimentous and / or with a high temperature.

Specifications

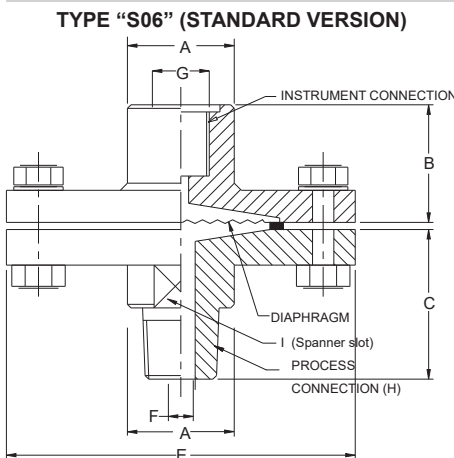
Standard Version

(Compatible models : AC, AE, AH, AI, AL, AQ, BA, BE, BI, BJ, BQ & BT)

Seal type & Range	: S06 = -1 to 0 kg/cm ² & 0 to 70 kg/cm ² (Standard)
	: S07 = 100 kg/cm ² to 400 kg/cm ²
	: - 40 °C to 200 °C or as per fill fluid
Process temperature	: ½" BSP (F)
Instrument connection	: ½" BSP (M)
Process connection	: Silicon Oil - DC 200
Fill fluid	: Direct (without capillary)
Mounting	

Diaphragm	: AISI 316L SS
Top chamber	: AISI 304 SS
Bottom chamber	: AISI 316 SS
Nuts / bolts	: AISI 304 SS
Sealing gasket	: PTFE

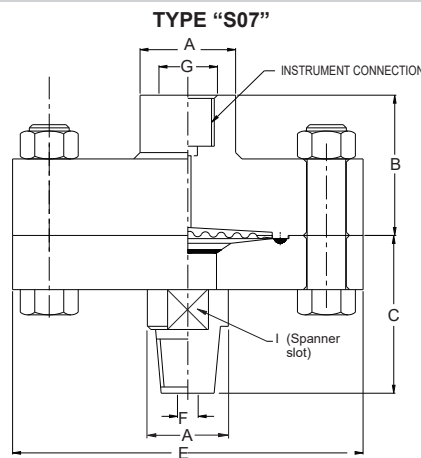
Dimensions - Standard Version



A	~ B	~ C	E	F	G	H	I	Approx. Wt. #
30	26	47	98	Ø8	½" BSP(F)	½" BSP (M)	25	1500.0

(# Weight in grams with box for Standard Model.)

Notes : • Drawings are not to scale. • All Dimensions are in mm.



A	~ B	~ C	E	F	G	H	I	Approx. Wt. #
30	44	49.5	110	Ø8	½" BSP(F)	½" BSP (M)	25	3000.0

(# Weight in grams with box for Standard Model.)

How to Order
Example
Basic Model
Code
Optional Extras

[It is recommended that the MOC of Diaphragm should be equivalent or superior than the MOC of Bottom chamber.]

Type
S06 -1 to 0 kg/cm² & 0 to 70 kg/cm² (Standard) **S07** 100 kg/cm² to 400 kg/cm²
Instrument Connection (Select this option when dry seal is required)

VN 1/4" BSP(F) **VP** 3/8" BSP (F) **VL** 1/2" BSP (F)(Standard) **VM** 1/2" NPT (F) **VO** 1/4" NPT (F)

Top Chamber
XW AISI 304 SS (Standard) **YA** AISI 316L SS **XY** AISI 316 SS

Diaphragm (* Range up to 21 kg/cm²)

UJ AISI 316L SS (Standard) **UL** Hastelloy 'C' **UR** Titanium **UW** Inconel 600

UM MONEL **UP** Silver* **UQ** Tantalum

Sealing Gasket
VI PTFE (Standard) **YR** Metal

Bottom Chamber (* Refer Pressure v/s Temperature table below.)

			MOC OF BOTTOM CHAMBER	PRESSURE V/S TEMPERATURE						
				20 °C	40 °C	60 °C	80 °C	100 °C	120 °C	
TK AISI 304 SS	TT Hastelloy 'C'									
TM AISI 316 SS (Standard)	UD Tantalum		PVDF	10 kg/cm ²	10 kg/cm ²	10 kg/cm ²	7 kg/cm ²	4 kg/cm ²	2 kg/cm ²	
TL AISI 316L SS	TZ PVC*		PP	10 kg/cm ²	10 kg/cm ²	6 kg/cm ²	4 kg/cm ²	1 kg/cm ²	NA	
UH TITANIUM	UA PVDF*		PVC	10 kg/cm ²	10 kg/cm ²	4 kg/cm ²	1 kg/cm ²	NA	NA	
TX MONEL	TY Polypropelene*									

Process Connection
WE 1/4" BSP(F) **WI** 1/4" NPT (F) **WY** 1/4" NPT(M) **WS** 1/4" BSP(M) **WR** M20 x 1.5(M)

WC 3/8" BSP(F) **WH** 1/2" NPT (F) **WA** 1/2" NPT(M) **WT** 3/8" BSP(M) **WP** M33 x 1.5(M)

WD 1/2" BSP(F) **WL** 3/4" NPT(F) **WK** 3/4" NPT(M) **WU** 1/2" BSP(M) (Standard)

WJ 3/4" BSP(F) **WF** 3/4" BSP(M)

Note : Connections like Metric, PT/ PF/ Flaired / UNF/ G/ R etc can be provided on request.

Protection On Wetted Parts (* With bore diameter 10 mm minimum & for connection size 1/2" & above only.)

VS PTFE Lining On Bottom Chamber - 2 mm THICK (Max. Up to 150 °C)*

VV PTFE Protection For Diaphragm (Max. Up to 150 °C) (Suitable for Pressure Ranges only)

VZ PTFE Coating On Diaphragm (Max. Up to 315 °C)

Filling Fluids (* Consult factory for specifications, price and delivery.)
US Fluorolube 4.2 [-45 to 175 °C] **UY** Silicon DC 704 [10 to 337 °C]

UT Fluorolube 6.3 [-40 to 235 °C] **UZ** Silicon DC 710 [7 to 371 °C]

UU Fluorolube FS-5 [-28 to 148 °C] **VA** Syltherm 800 [-40 to 315 °C]

UV Food Grade OIL [-20 to 140°C] **VB** Syltherm XLT [-100 to 260 °C]

UX Silicon DC 200 [-40 to 205 °C] (Standard) **VC** Halocarbon Oil*

Remote Mounting (With capillary of Max. Up to 6 Mtrs.)

Specify In Meters (e.g. 1.5 = 1.5 METERS 2.0 = 2 METERS)

Capillary
PE AISI 304 SS **PG** AISI 316 SS

Capillary Covered With Armour (Applicable with PE or PG if selected)

PF AISI 304 SS **PH** AISI 316 SS **PI** PVC (Ambient Temp. Max. 60°C)

Other Options
TB Helium Leak Test **TC** Dry Seal Only Without Instrument **GH** Material Test Certificates*

TF Conformity as per NACE Standard

* Material test certificates will be provided for wetted parts only with chemical composition testing. For others, please consult factory.

Refer Datasheet EE for selection of Flushing Rings.

Ordering Example: DB . XXX . XX . XX . XX . XX . XX . XX . XX . 3Mtr. . XX . XX . XX

For Other Optional Items, Please Contact Factory For Delivery And Minimum Quantity Of Order.

Note : Specifications and dimensions given in this product catalogue represents the state of engineering at the time of printing .

Modifications may take place and materials specified may be replaced by others without prior notice.